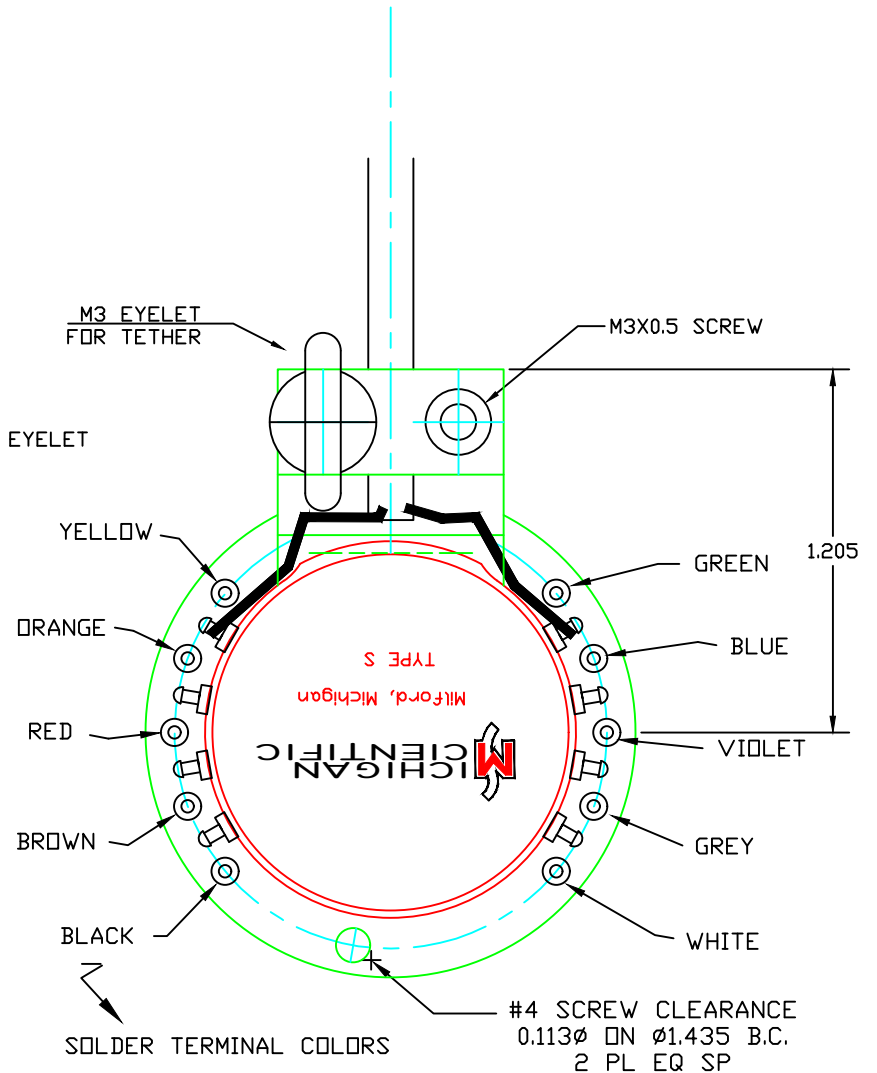
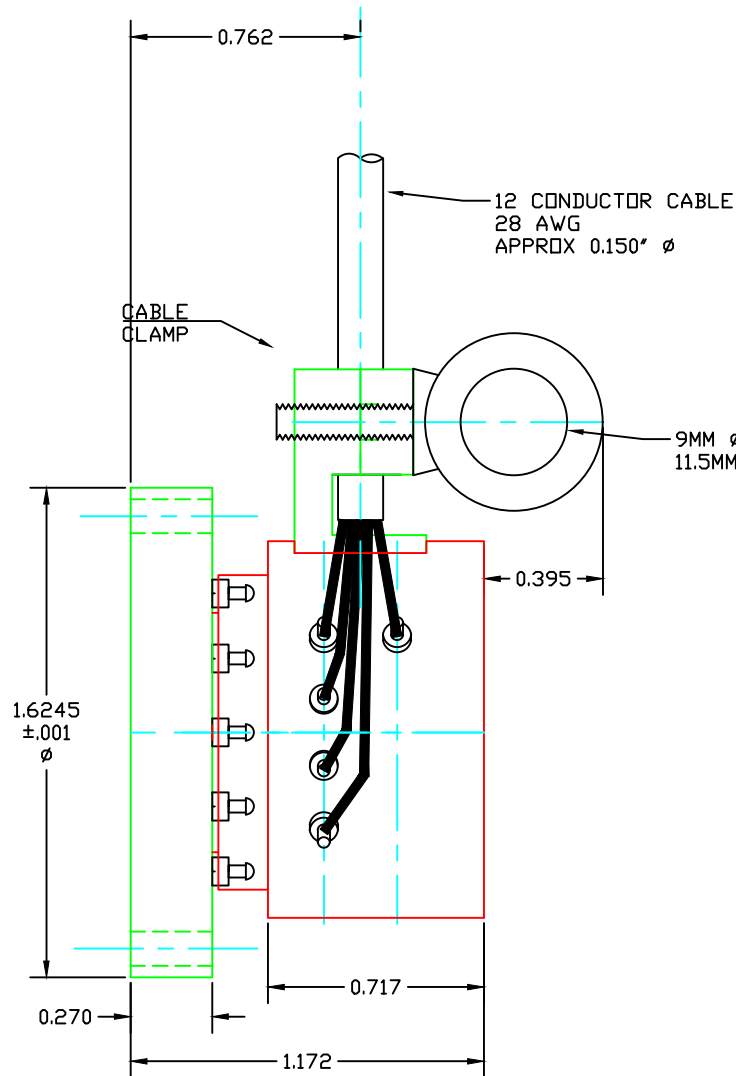


C213041A



MODEL SHORT S10/CT SLIP RING ASSEMBLY WITH CABLE CLAMP & M3 EYELET.

MICHIGAN SCIENTIFIC CORPORATION
 08500 ANCE ROAD
 CHARLEVOIX, MI 49720
 PHONE: (231)547-5511 FAX: (231)547-7070

ALL DIMENSIONS IN INCHES
 DESIGN MAY CHANGE WITHOUT NOTICE

COPYRIGHT © 2021

DESIGNED BY: KDL	DATE: 3-10-21	SCALE: 1:1
DRAWING NO.: C213041A	DRAWN: 6-15-21	
TITLE: SHORT S10/CT		